

ENERGY  
EFFICIENT  
MODEL

## GB560 | B650 ICE CUBER

UP TO 500 LB. DAILY CAPACITY

### SIMPLICITY BY DESIGN

The **KOLD-DRAFT 560 Series Classic Ice Cuber** produces up to 500 lbs. of ice per day. It is engineered with rugged unibody construction and its time-proven design ensures reliable operation, greater water efficiency and maximum ice-making capacity. Serviceability is from the front and the use of environmentally-friendly R-404A refrigerant gives greater efficiency.

The **KOLD-DRAFT B650 bin** holds 650 lbs. of ice. The **B650** has a polyethylene liner and stainless steel exterior front, sides and top. It is insulated with non-CFC foam for exceptional rigidity and optimum insulation. The **B650** comes with an insulated stainless steel lift up door.



*GB560 Series Ice Cuber  
on a B650 Bin*



Full Cube  
1 1/4" x 1 1/4" x 1 1/4"



Half Cube  
1 1/4" x 5/8" x 1 1/4"

# KOLD-DRAFT®

### THE HIGHEST QUALITY ICE

Ice that's free from impurities. Ice that's uniformly shaped ensuring maximum displacement and ease of handling. Ice that sparkles, melts slowly and looks like ice should look. Two sizes of **KOLD-DRAFT** cubes to choose from that meet your exact needs. Full cubes and half cubes – the highest quality ice.

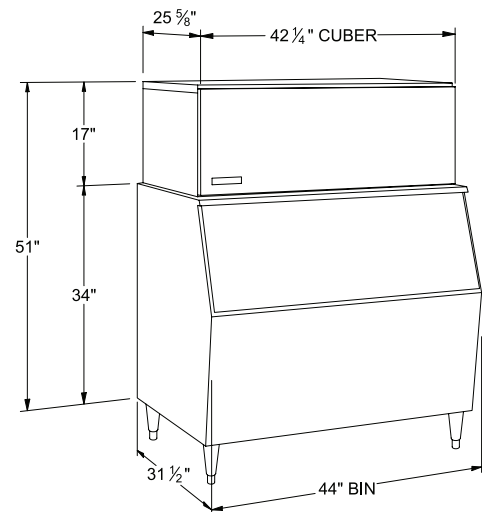
### STACKABILITY

**GB Series Classic Ice Cubers** are stackable with each other and can be stacked on existing **KOLD-DRAFT GB Series Classic and Electronic Cubers**. This unique "Add-A-Unit" feature will give you unsurpassed flexibility in ice-making capacity. So as your business grows, so can your ice capacity without using valuable floor space.

### KOLD-DRAFT'S WARRANTY

**KOLD-DRAFT'S** Warranty provides five years parts and labor on the entire machine. See **KOLD-DRAFT'S** Warranty Statement for details.

# GB560 | B650



*GB560 on a B650 Bin. Stores 660 lbs. of ice,  
based on 35 lbs./cu.ft. at 90% of bin volume.*

# KOLD-DRAFT®

## GENERAL SPECIFICATIONS FOR GB560 SERIES:

**PLUMBING:** 3/8" FPT potable water inlet.  
1" FPT bin drain.  
3/4" I.D. flex tubing cuber drain.  
3/8" FPT condenser (liquid-cooled) inlet.  
1/2" FPT condenser (liquid-cooled) outlet.

**EXTERIOR FINISH:**  
Type 300 Series stainless steel.

**REFRIGERATION SYSTEM:**  
Thermostatic expansion valve controlled R-404A-HFC.

**CLEARANCE REQUIREMENTS:**  
Allow 4" left side, 8" right side and back and 1" top for ventilation and utility connections.

### RECOMMENDED OPERATING REQUIREMENTS:

	Min.	Max.
Room Air Temperature	45°F (7°C)	90°F (32°C)
Water Temperature	45°F (7°C)	90°F (32°C)
Voltage GB561	104V	126V
Voltage GB564	198V	253V
Water Pressure	20 PSIG (137 kPa)	100 PSIG (689 kPa)

**GB560 Series Daily Capacities:** Lbs. of ice per 24 hours per unit

GB560A Air-Cooled			GB560L Liquid-Cooled		
Incoming Water Temp.	Ambient Temperature		Incoming Water Temp.	Ambient Temperature	
	70°F (21°C)	90°F (32°C)		70°F (21°C)	90°F (32°C)
50°F (10°C)	501lbs. (227kg)	-	50°F (10°C)	498lbs. (226kg)	-
70°F (21°C)	-	428lbs. (194kg)	70°F (21°C)	-	480lbs. (218kg)

The above capacities are based on (HK) Half Cube and can be increased or reduced between 5-15% depending on cube size or by adjusting the cuber to produce concave cubes.

KOLD-DRAFT ice machines are designed for indoor use and for operation within the above listed limits. Any deviation may eliminate coverage of factory warranties. Failures caused by operation on voltages other than indicated on model nameplates are not considered defects.

## GB560 ICE CUBER

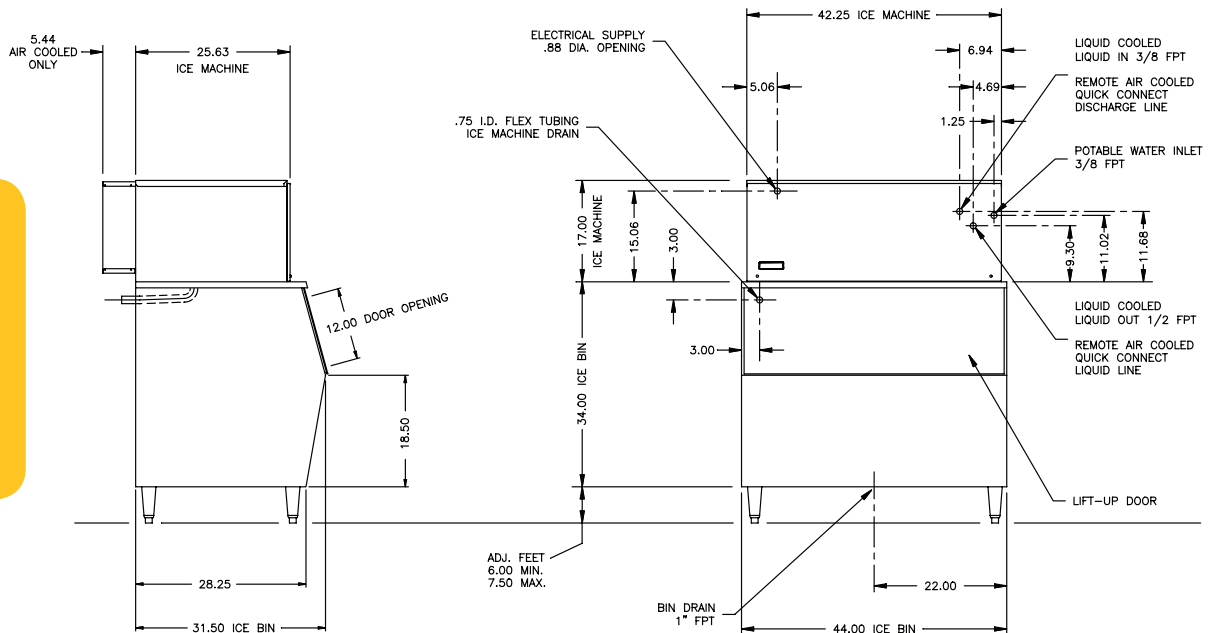
MODEL	ICE PRODUCTION PER 24 HOURS <sup>1</sup>	ELECTRICAL SUPPLY CHARACTERISTICS, V-HZ-PH	NUMBER OF WIRES PLUS GROUND	MINIMUM CIRCUIT AMPACITY <sup>2</sup>	MAXIMUM FUSE SIZE	CONDENSER TYPE	APPROX. SHIPPING WEIGHTS
GB561A*	501lbs. (227kg)	115-60-1	2	18.6	30 A	air-cooled	207lbs. (94kg)
GB561L*	498lbs. (226kg)	115-60-1	2	17.7	30 A	liquid-cooled	185lbs. (84kg)
GB564A*	501lbs. (227kg)	208/230-60-1	2	9.5	15 A	air-cooled	207lbs. (94kg)
GB564L*	498lbs. (226kg)	208/230-60-1	2	9.1	15 A	liquid-cooled	185lbs. (84kg)

\*KOLD-DRAFT ICE: To specify desired cube size place "HK" half-cube or "C" full cube in place of \*asterisk in model numbers.

<sup>1</sup> Production capacity at 50°F (10°C) water and 70°F (21°C) air.

<sup>2</sup> Use this value to determine minimum wire size per National Electric Code Requirements.

Please observe minimum circuit ampacity and maximum fuse size listed above. Fuse or HACR-type circuit breaker branch circuit protection within the range of minimum ampacity and maximum fuse size shall be provided or warranty may be voided. We reserve the right to make product improvements at any time. Specifications and design are subject to change without notice.



GB560 | B650

**KOLD-DRAFT**

1525 E. Lake Road | Erie, PA 16511 | 800-840-9577 | Fax: 800-548-9392  
e-mail: info@kold-draft.com | www.kold-draft.com

