



*GB560 Series on a T-271/T-274  
on a B650D Bin.*

## T-260 | T-270 ICE CRUSHER

### T-260 | T-270 "GB" SERIES ICE CRUSHER

The T-260/T-270 GB Series Ice Crusher are designed for use with KOLD-DRAFT GB Cubers and bins. They are wired to operate in conjunction with GB Series Classic Cubers. An external knob allows the selection of cube or crushed ice, which can be separated in the bin with an optional bin divider. The front panel is easily removed for maintenance.

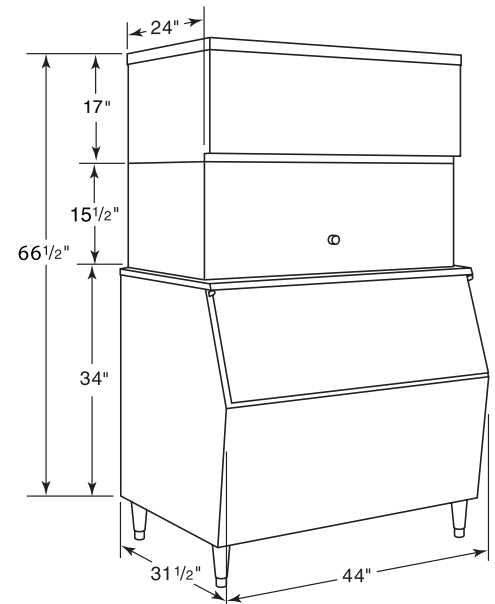
## KOLD-DRAFT®

### CRUSHED ICE ADVANTAGE

KOLD-DRAFT crushed ice is superior to flaked ice in many applications. Crushed ice is made from clear, hard sparkling KOLD-DRAFT cubes. It is slower melting than flaked ice and has a much better appearance. It sparkles. KOLD-DRAFT crushed ice makes terrific display ice and is excellent for frappe type drinks. It won't change the taste like flaked ice can because the water's impurities are removed during the cube ice-making process. KOLD-DRAFT crusher/cuber combinations are recognized for much longer life and lower maintenance than flake ice machines.

### KOLD-DRAFT'S WARRANTY

KOLD-DRAFT'S warranty is five years on all parts and labor.



*GB560 Series on a T-271/T-274 on a  
B650D Bin. Stores 650 lbs. of ice, based  
on 35 lbs./cu.ft. at 90% of bin volume.*

# T-260 | T-270 ICE CRUSHER

## GENERAL SPECIFICATIONS FOR T-261 | T-264 AND T-271 | T-274:

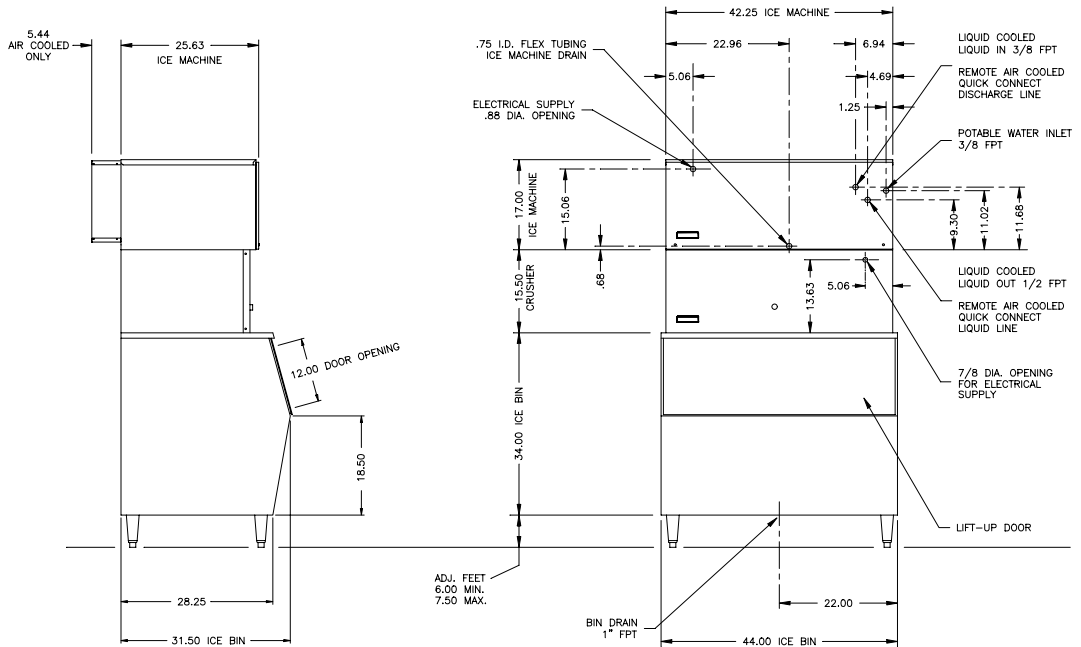
MODEL	VOLTAGE CHARACTERISTICS	NUMBER OF WIRES	MIN. CIRCUIT AMPACITY <sup>1</sup>	MAX. FUSE SIZE	SHIPPING WEIGHTS
T-261	100-120/50-60/1	2	7.2	15	144lbs.   65kg
T-264	200-240/50-60/1	2	4.1	15	144lbs.   65kg
*T-271	100-120/50-60/1	2	7.2	15	144lbs.   65kg
*T-274	200-240/50-60/1	2	4.1	15	144lbs.   65kg

<sup>1</sup> Use this value to determine minimum wire size as per National Electrical Code Standards.  
\*T-271/T-274 models are for new GB560 and GB1060 Series Energy Efficient Models.

### CLEARANCE REQUIREMENTS

Allow 6" minimum clearance at the back and top, 4" left side and 8" right side for ventilation and utility connections.

We reserve the right to make product improvements at any time. Specifications and design are subject to change without notice.



T-261 | T-264  
T-271 | T-274

Stainless steel cabinet, crusher mechanism and hopper for cleanliness, corrosion resistance and long life.

Crusher mechanism has ball bearings for durability.

Dual voltage, 50/60 Hz. motor.

1/3 HP capacitor start energy saver motor.

Provides for crushed and cube ice when used with a divided bin.

Safety interlock provided to prevent operation of Crusher when panels are removed.

(Note – Always disconnect power before cleaning or servicing equipment.)

Automatic motor operation when used with **KOLD-DRAFT GB Series** Cubers.

Pre-wired to operate with either one or two **KOLD-DRAFT GB Series** Cubers.



1525 E. Lake Road | Erie, PA 16511 | 800-840-9577 | Fax: 800-548-9392  
e-mail: info@kold-draft.com | www.kold-draft.com