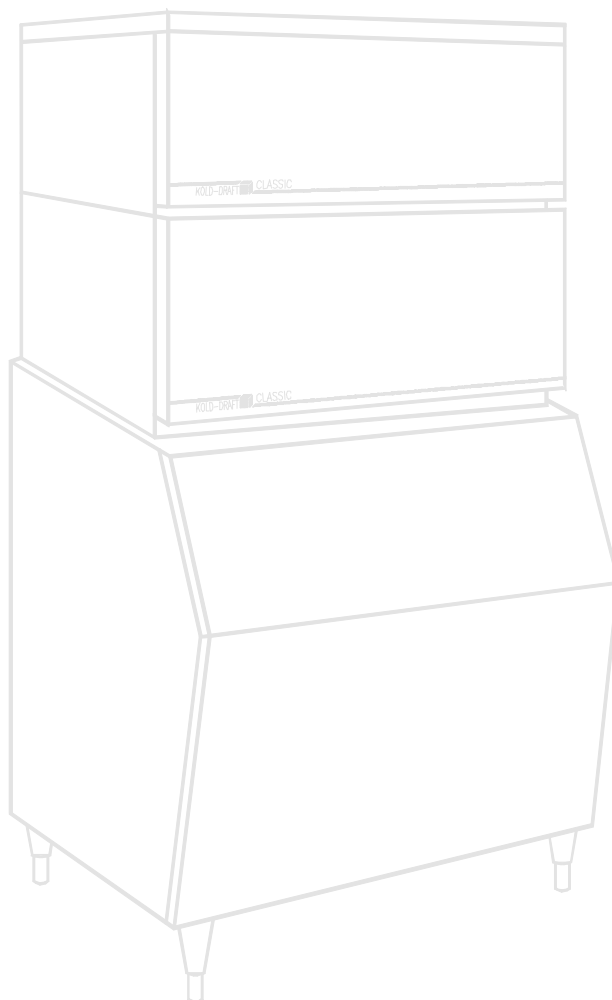


Multiplexing Installation Instructions



KOLD-DRAFT MULTIPLEXING INSTALLATION INSTRUCTIONS

Section I

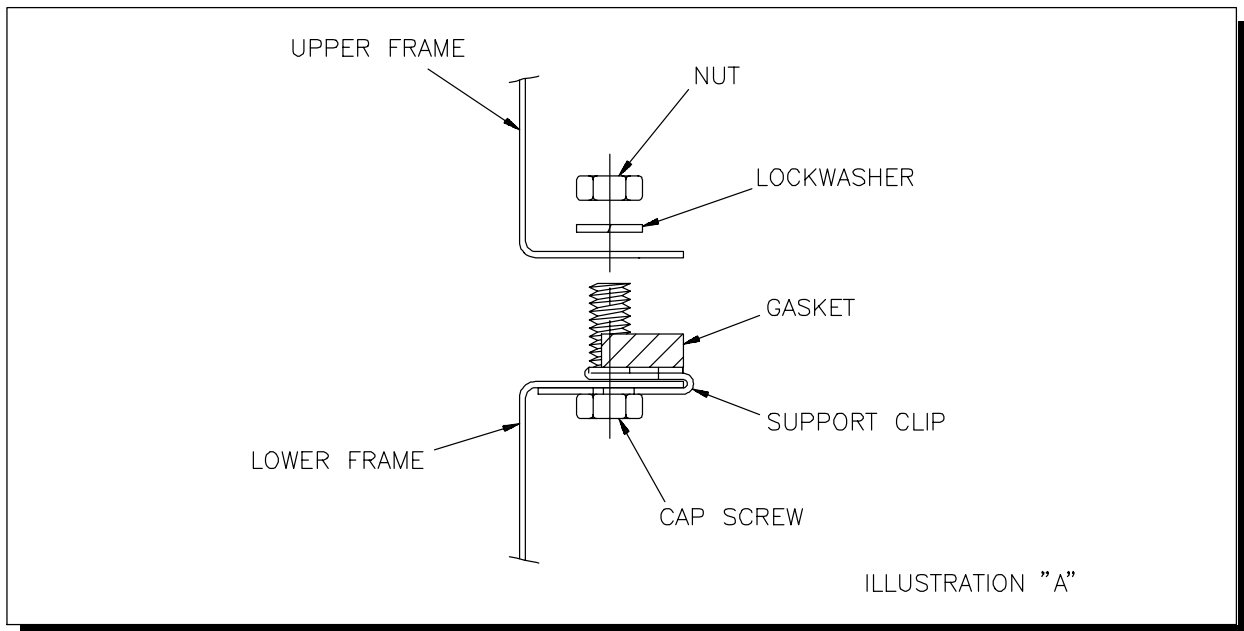
STACKING NEW GB CLASSIC UNITS ABOVE NEW GB CLASSIC UNITS **AND OLD GB CLASSIC UNITS ABOVE NEW GB CLASSIC UNITS**

CAUTION:

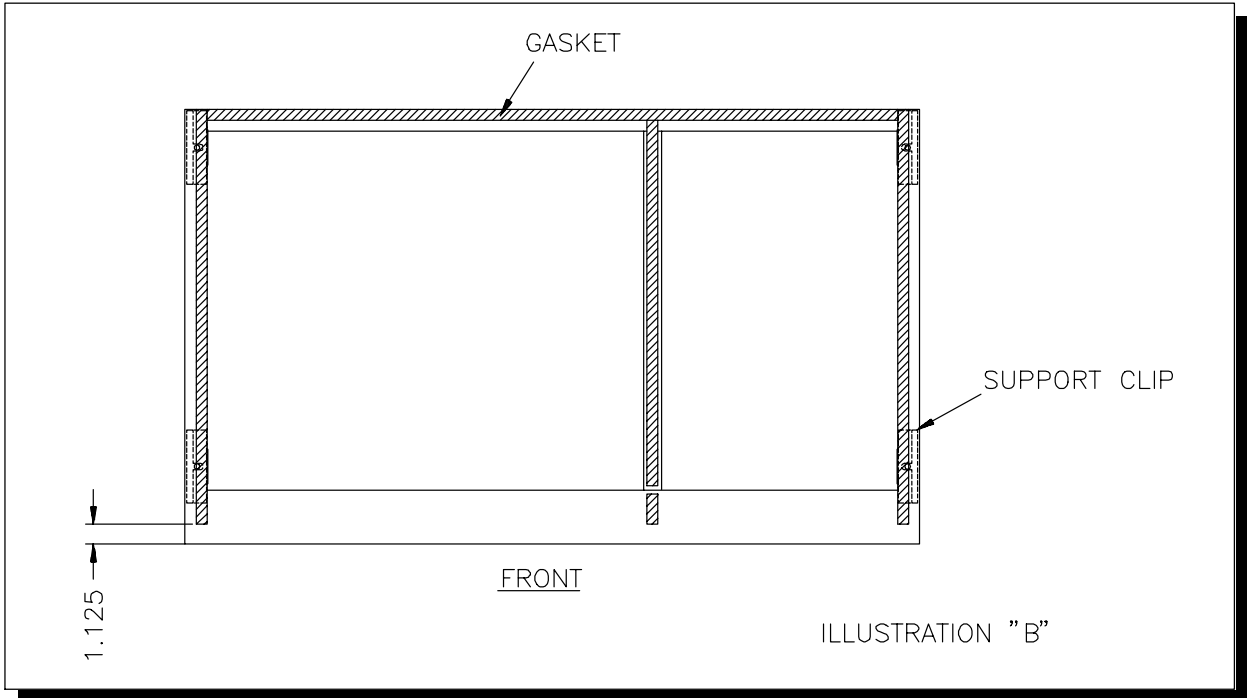
- ◆ RISK OF PERSONAL INJURY, PROPERTY DAMAGE, EQUIPMENT FAILURE, OR FIRE.
- ◆ Refer all maintenance to qualified personnel.
- ◆ Never operate this equipment with covers, panels, or other parts removed or not properly secured.
- ◆ Use a suitable lifting means and be careful of sharp edges.

NOTE: Please refer to Section II of these instructions for installing a New GB Classic unit above an Old GB Classic unit.

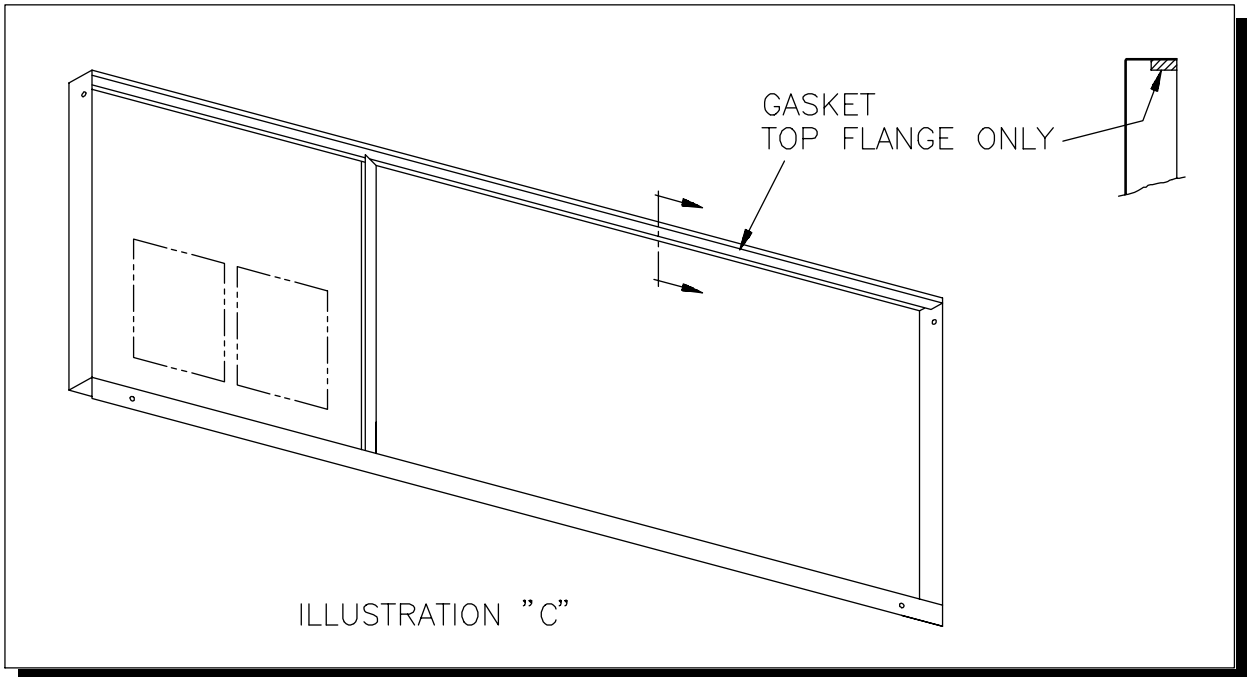
1. Remove cabinet panels from upper and lower ice makers.
2. Mount support clips on top side flanges of lower ice maker frame and position so the clip holes are aligned with the holes in the frame. (See Illustration "A") The lower flange of the front support clips must slide into the space between the top side flange of the ice maker and the top flange of the electrical box.



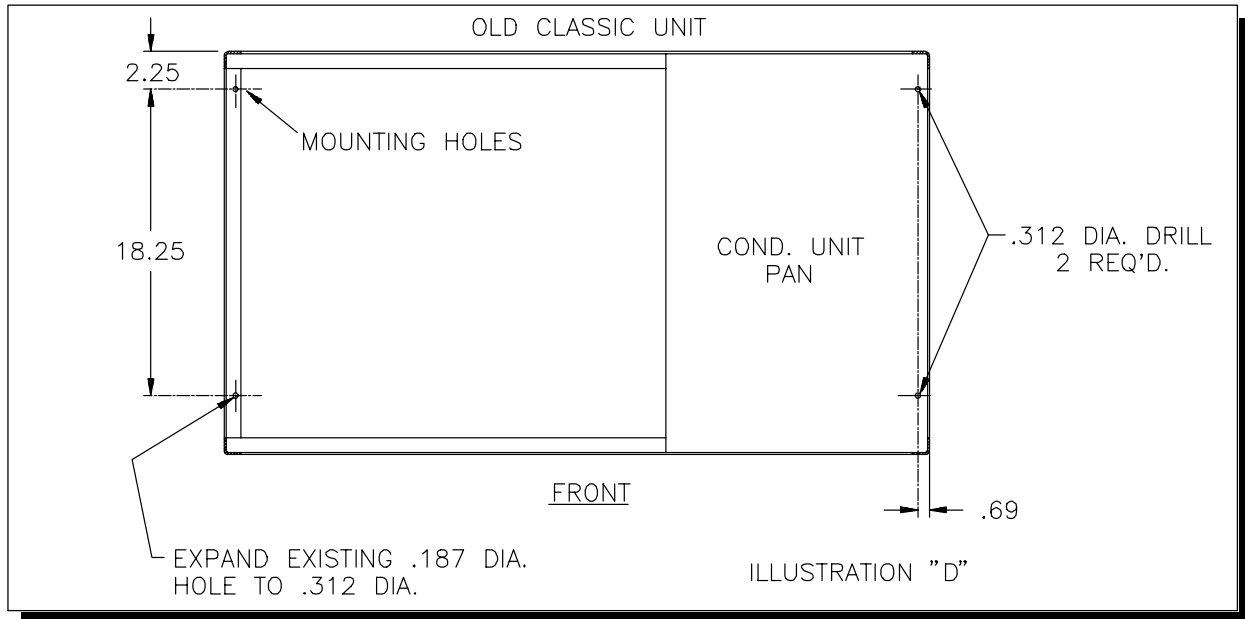
3. Apply gasket supplied with stacking kit to lower ice maker frame and cut to fit. (See Illustration "B") Place gasket over the support clips already in position and pierce the gasket where it covers the mounting holes.



4. Apply gasket to the top inside flange of the lower ice maker front cabinet panel. (See Illustration "C")



5. On Installations with Old GB Classic Units it is necessary to drill 2 - 5/16" dia. holes and enlarge 1 - 3/16" dia. hole to 5/16" dia. in the bottom of the Old Classic Frame. (See Illustration "D") The transformer box will have to be moved temporarily in order to do this. The (2) right side holes can be drilled through the cond. unit pan from the underside, using the existing frame holes as a guide.



6. Position upper ice maker on lower unit and align mounting holes. Install cap screws, lock washers and nuts. (See Illustration "A") **CAUTION:** Support upper unit until all fasteners are secured.
7. Install the upper ice maker drain pan and ice chute. Connect the drain hose elbow assembly to the drain pan and route the drain hose through the rear of the lower ice maker. If the Old GB Classic drain pan does not have a hose flange, exchange it with the pan from the New GB Classic unit.
8. Route upper ice maker bin thermostat capillary tube or probe wire down to the lower ice maker chute opening for positioning. Keep capillary tube or wire toward front of partition wall out of the path of falling ice. Stacking a third ice maker will require a bin thermostat with a longer capillary tube (New GB Classic Unit) or an extension cord (if Old GB Electronic unit). Consult factory for more information.
9. The stainless steel Multiplex Ice Chute provided with 102 1207 01 GB Model Stacking Kits is to be installed in all except the TOP cuber in the stack. Install the Multiplex Ice Chute (see instructions at end) and side cabinet panels. On some early New GB Classic units it may be necessary to crimp the back catches of the side panels on the lower ice maker so the panel is held tight to the frame.
10. Follow start-up instructions, included with ice maker, to complete the installation.

KOLD-DRAFT MULTIPLEXING INSTALLATION INSTRUCTIONS

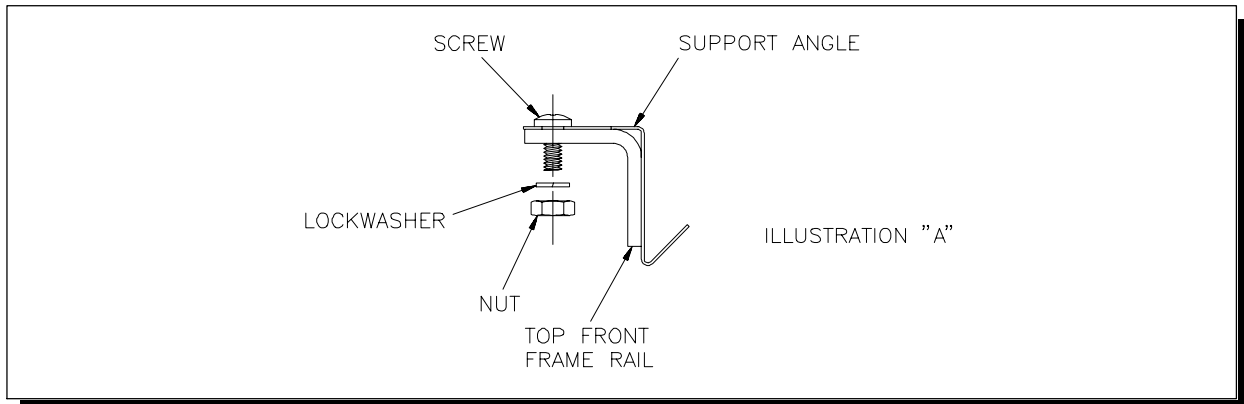
Section II

STACKING NEW GB CLASSIC UNITS ABOVE OLD GB CLASSIC UNITS

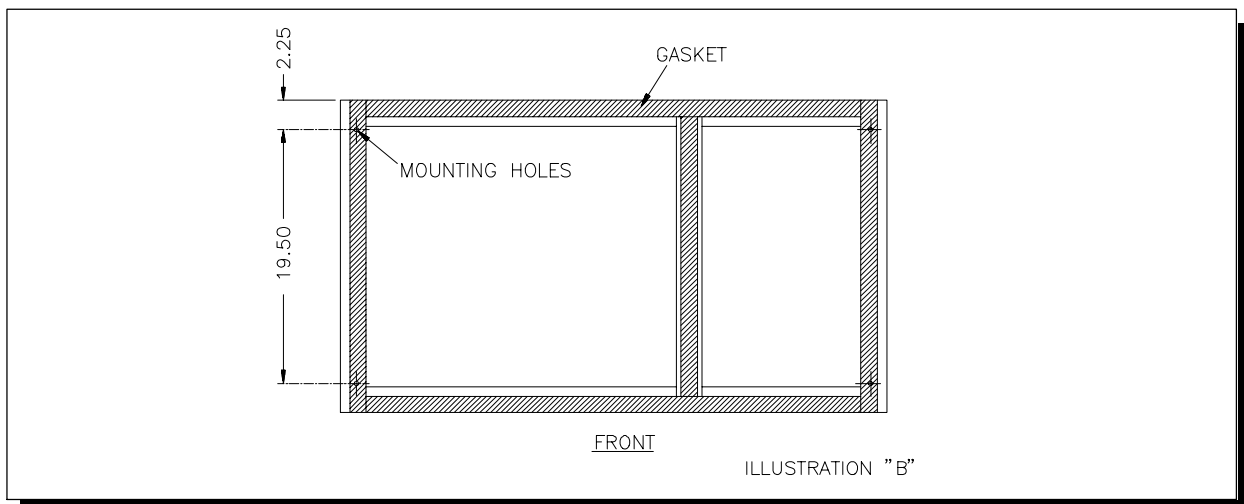
CAUTION:

- ◆ RISK OF PERSONAL INJURY, PROPERTY DAMAGE, EQUIPMENT FAILURE, OR FIRE.
- ◆ Refer all maintenance to qualified personnel.
- ◆ Never operate this equipment with covers, panels, or other parts removed or not properly secured.
- ◆ Use a suitable lifting means and be careful of sharp edges.

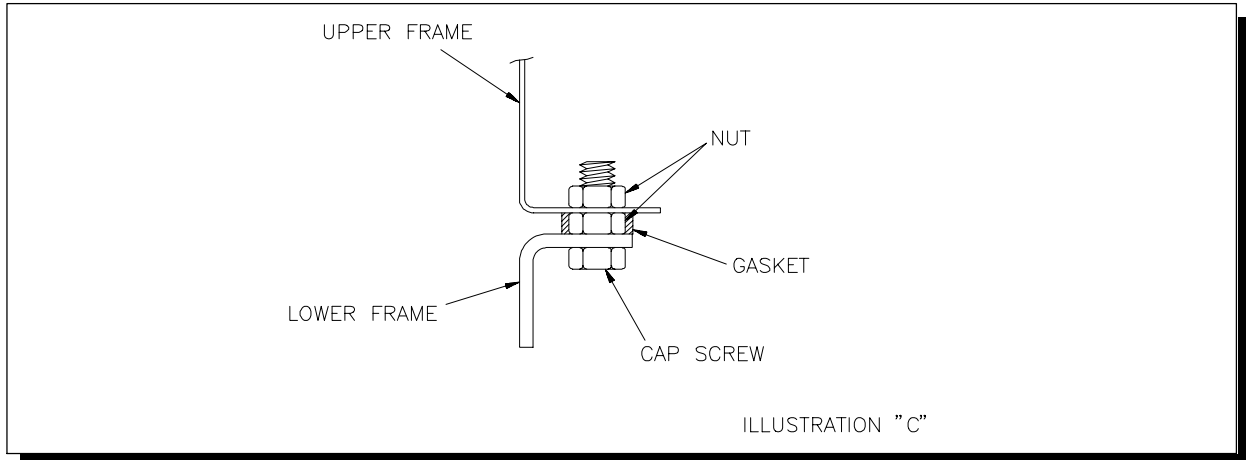
1. Remove cabinet panels from upper and lower ice makers.
2. Mount inspection panel support angle to top front frame rail of lower (Old Classic) unit with #8-32 screws, nuts and lockwashers provided. (See Illustration "A")



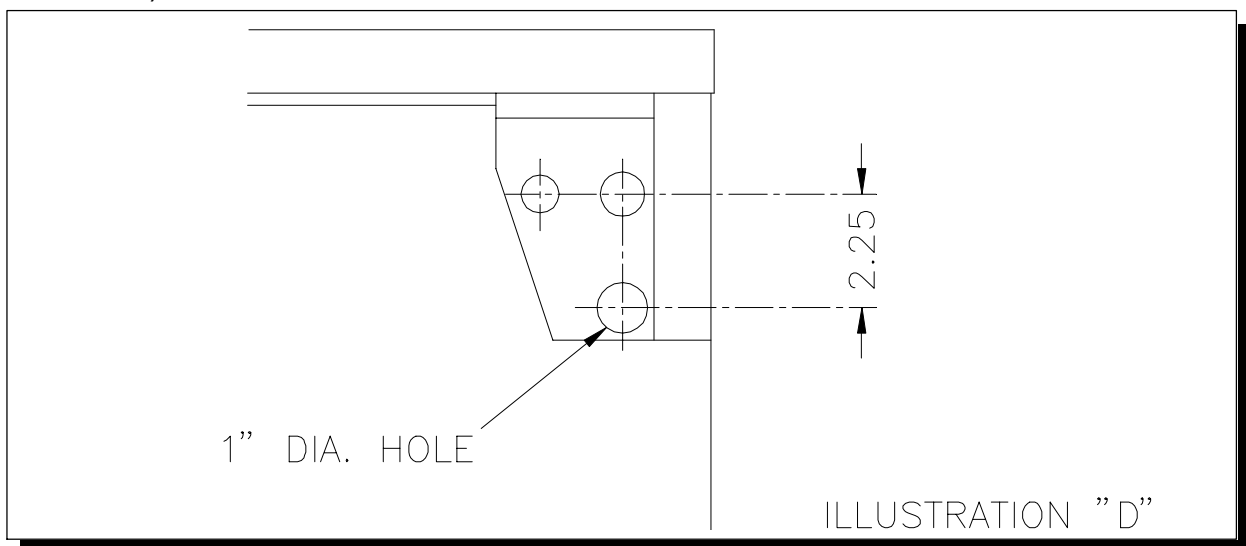
3. Apply gasket supplied with stacking kit to lower ice maker frame and cut to fit. Pierce gasket where it covers the mounting holes. (See Illustration "B")



4. Install (4) 1/4-20 cap screws up through mounting holes of lower ice maker and fasten with 4 nuts.
5. Position upper ice maker over lower unit and lower in place. Secure with 4 nuts. (See Illustration "C") **CAUTION:** Support upper cuber until all fasteners are secured.

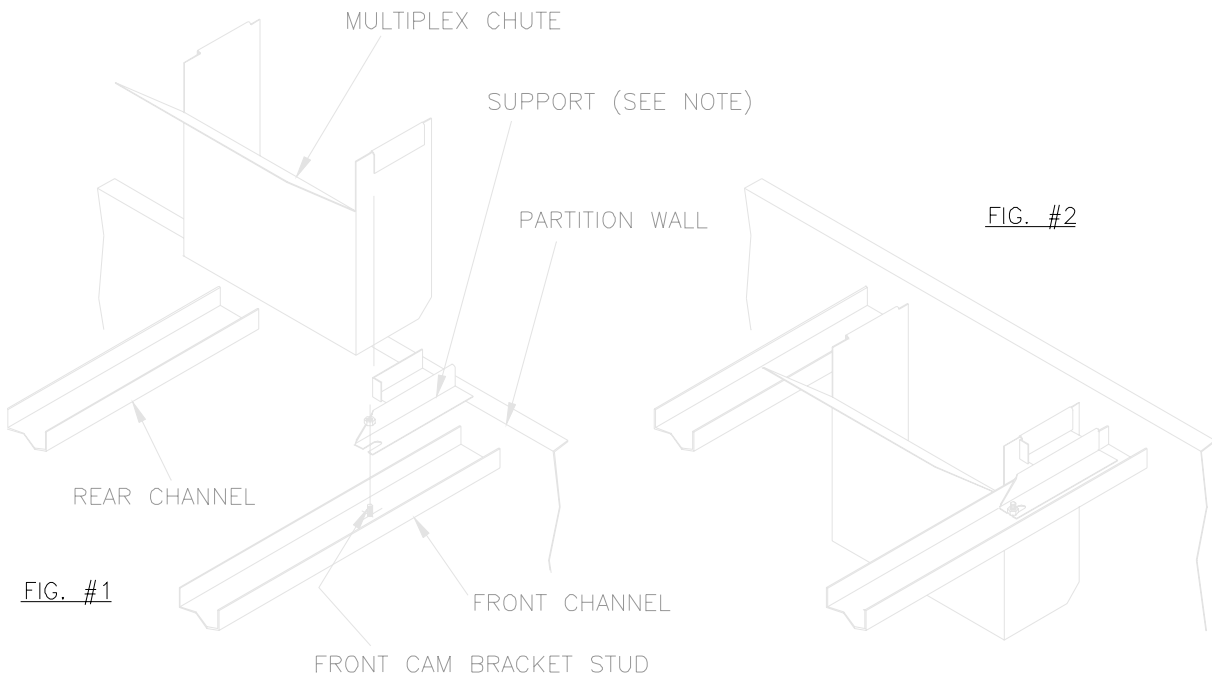


6. Route upper ice maker bin thermostat capillary tube through grommets hole in the partition wall, down to the lower ice maker chute opening for positioning. Keep capillary tube toward front of partition wall out of the path of falling ice. Stacking a third ice maker will require a bin thermostat with a longer capillary tube. Consult factory for more information.
7. Install the upper ice maker drain pan and ice chute. Connect the drain hose-elbow assembly to the drain pan and route the drain hose through the rear of the lower ice maker. If a 1" hole has not been provided in the rear gusset of the lower ice maker it will have to be provided by the installer. (See Illustration "D")



8. Install the Multiplex Ice Chute (see instructions at end) and side cabinet panels. Follow start-up instructions included with ice maker to complete the installation.

GB MULTIPLEX CHUTE INSTALLATION INSTRUCTIONS



NOTE- THE CHUTE IS INSTALLED OVER THE REAR CHANNEL FLANGE IN ALL APPLICATIONS. TWO SUPPORTS ARE PROVIDED FOR MOUNTING TO THE FRONT CHANNEL. THE SUPPORT WITH THE WIDER SPAN AND DEEPER MOUNTING FLANGE IS FOR ELECTRO-MECHANICAL AND ELECTRONIC MODELS ONLY. THE OTHER SUPPORT IS FOR CLASSIC CUBER APPLICATIONS.

- DISCONNECT POWER SUPPLY. REMOVE THE FRONT ACCESS PANEL AND PLASTIC ICE CHUTE FROM THE UPPER CUBER. THE WATER PLATE MUST BE IN THE CLOSED POSITION.
- LOOSEN OR REMOVE THE NUT FROM THE FRONT CAM BRACKET STUD OF THE LOWER CUBER.
- POSITION THE PROPER ICE CHUTE SUPPORT SO THAT THE SLOT IN THE MOUNTING FLANGE ENGAGES THE CAM BRACKET STUD. REINSTALL THE NUT (IF REMOVED) BUT DO NOT TIGHTEN AT THIS TIME.
- INSTALL THE MULTIPLEX CHUTE AND POSITION IT BETWEEN THE SUPPORT CHANNELS OF THE CUBER. THIS IS MOST EASILY ACCOMPLISHED BY POSITIONING THE CHUTE HORIZONTALLY, WITH THE ANGLED FLANGE UP AND TOWARD THE PARTITION WALL OF THE CUBER. PICK UP THE RIGHT FRONT CORNER OF THE PLASTIC DRAIN PAN AND INSTALL THE CHUTE BETWEEN THE SUPPORT CHANNELS. ROTATE THE CHUTE COUNTER CLOCKWISE TO THE POSITION ILLUSTRATED IN FIGURE #1.
- DROP THE CHUTE DOWN INTO POSITION, WITH ITS HANGERS ENGAGING THE REAR CHANNEL FLANGE AND THE ICE CHUTE SUPPORT FLANGE.
- SLIDE THE CHUTE TO THE RIGHT AGAINST THE PARTITION WALL. SLIDE THE ICE CHUTE SUPPORT TO THE RIGHT UNTIL THE STOP IS AGAINST THE FRONT HANGER EDGE. (SEE FIGURE #2) TIGHTEN THE NUT ON THE FRONT CAM BRACKET STUD TO SECURE THE CHUTE IN POSITION.
- INSTALL THE PLASTIC ICE CHUTE AND REPLACE THE FRONT ACCESS PANEL.